

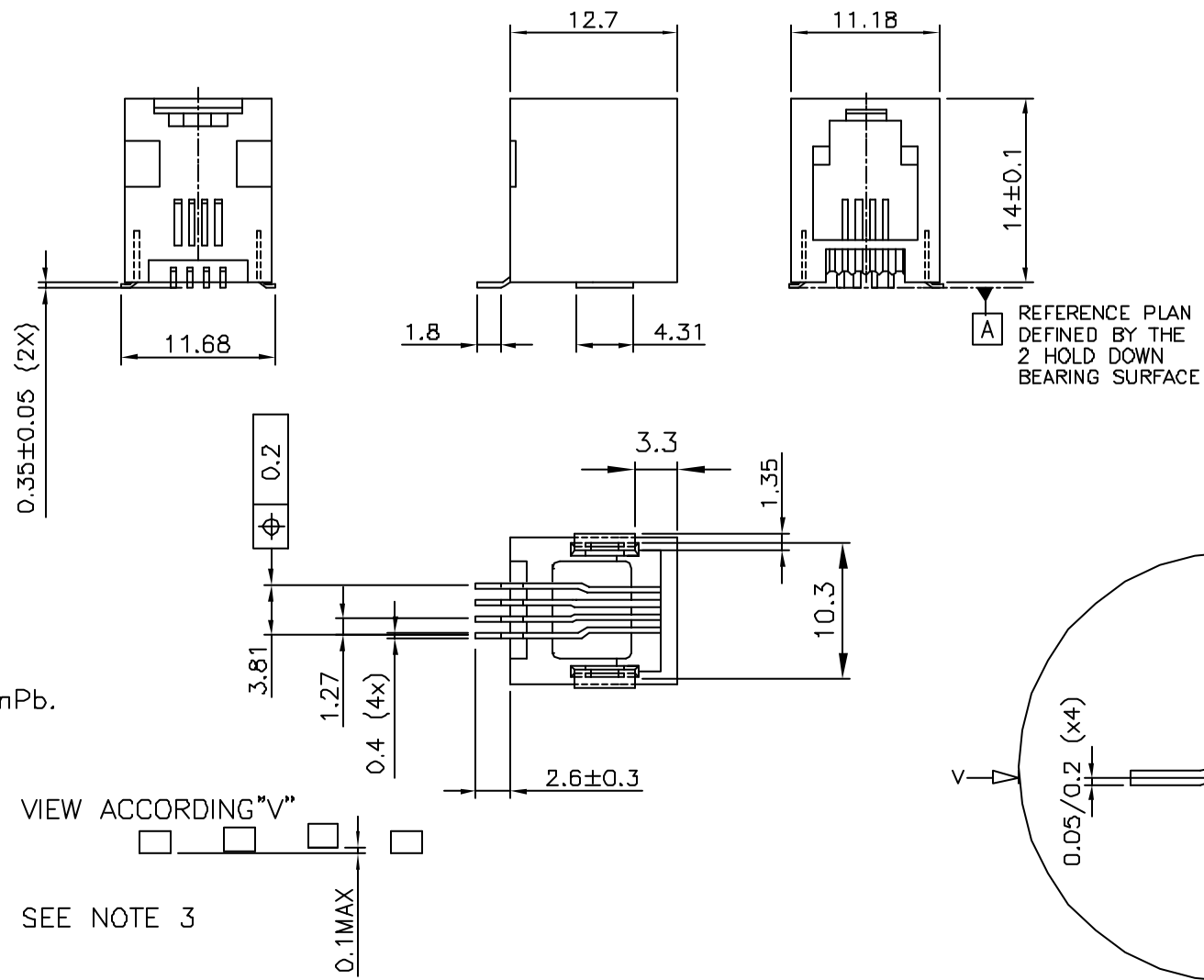
PRODUCT NUMBER  
73306-XXXLF

PLATING OPTION  
1= GXT 0.76  $\mu\text{m}$   
3= GOLD 0.76  $\mu\text{m}$   
5= GOLD 1.27  $\mu\text{m}$

PACKAGE OPTION  
1= TAPE ON REEL  
2= TUBE

TERMINAL LOADING  
1= FULLY LOADED

WHEN NEEDED, SUFFIX LETTER "LF" INDICATES THE PRODUCT IS RoHS COMPATIBLE, SEE NOTE 4.



NOTES:

- 1- MATERIAL: HOUSING: HIGH TEMP. NYLON, COLOUR BLACK.  
TERMINAL: PHOSPHOR BRONZE.
- 2 - PLATING: CONTACT AREA: SEE TABLE.  
SOLDER TAIL : 90/10 SnPb 2 $\mu\text{m}$  MIN.  
WHEN SUFFIX "LF" IS REQUIRED, 2 $\mu\text{m}$  MIN MATTE TIN OVER 1.27 MIN Ni IS SUPPLIED INSTEAD OF SnPb.  
NO RAW EDGES EXEPT SOLDER TAIL TIPS
- 3 - SOLDER TAILS COPLANARITY : 0.1 mm
- 4 - RoHS COMPATIBLE PRODUCT SPECIFICATIONS
  - a - PLATING:
    - "LF" MEANS THE PRODUCT IS LEAD-FREE, 2 $\mu\text{m}$  MINIMUM MATTE TIN OVER 1.27 $\mu\text{m}$  MINIMUM NICKEL UNDERPLATE.
  - b - MANUFACTURING PROCESS COMPATIBILITY
    - THE HOUSING WILL WITHSTAND EXPOSURE TO 245°C PEAK TEMPERATURE FOR 30 SECONDS MAX IN A CONVECTION, INFRA-RED OR VAPOR PHASE OR REFLOW OVEN.
  - c - LABELING:
    - MEETS PACKAGING SPECS AS PER GS-14-920
  - d - LEGAL STATEMENT: SEE GS-22-008

VIEW ACCORDING "V"

SEE NOTE 3

CUSTOMER COPY FOR REFERENCE ONLY

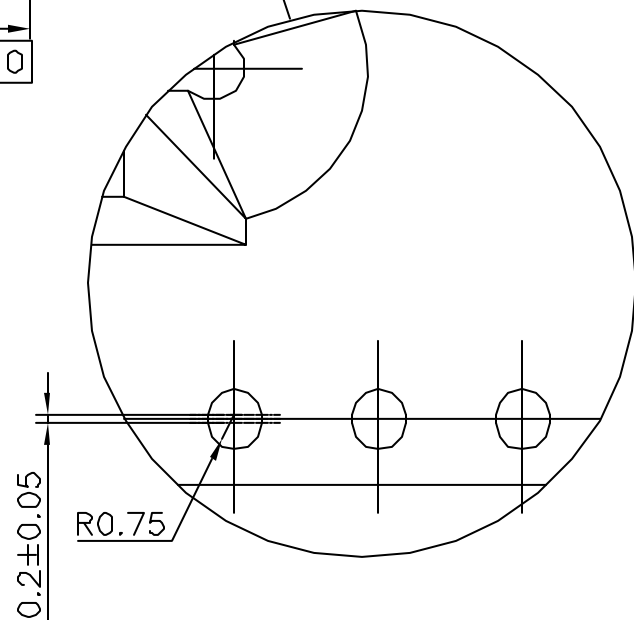
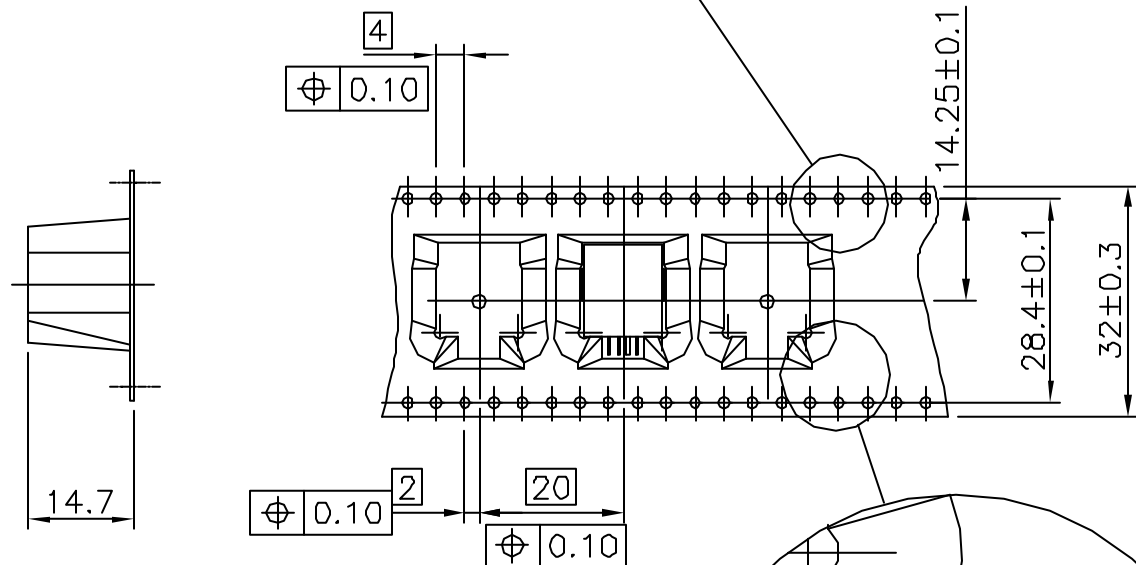
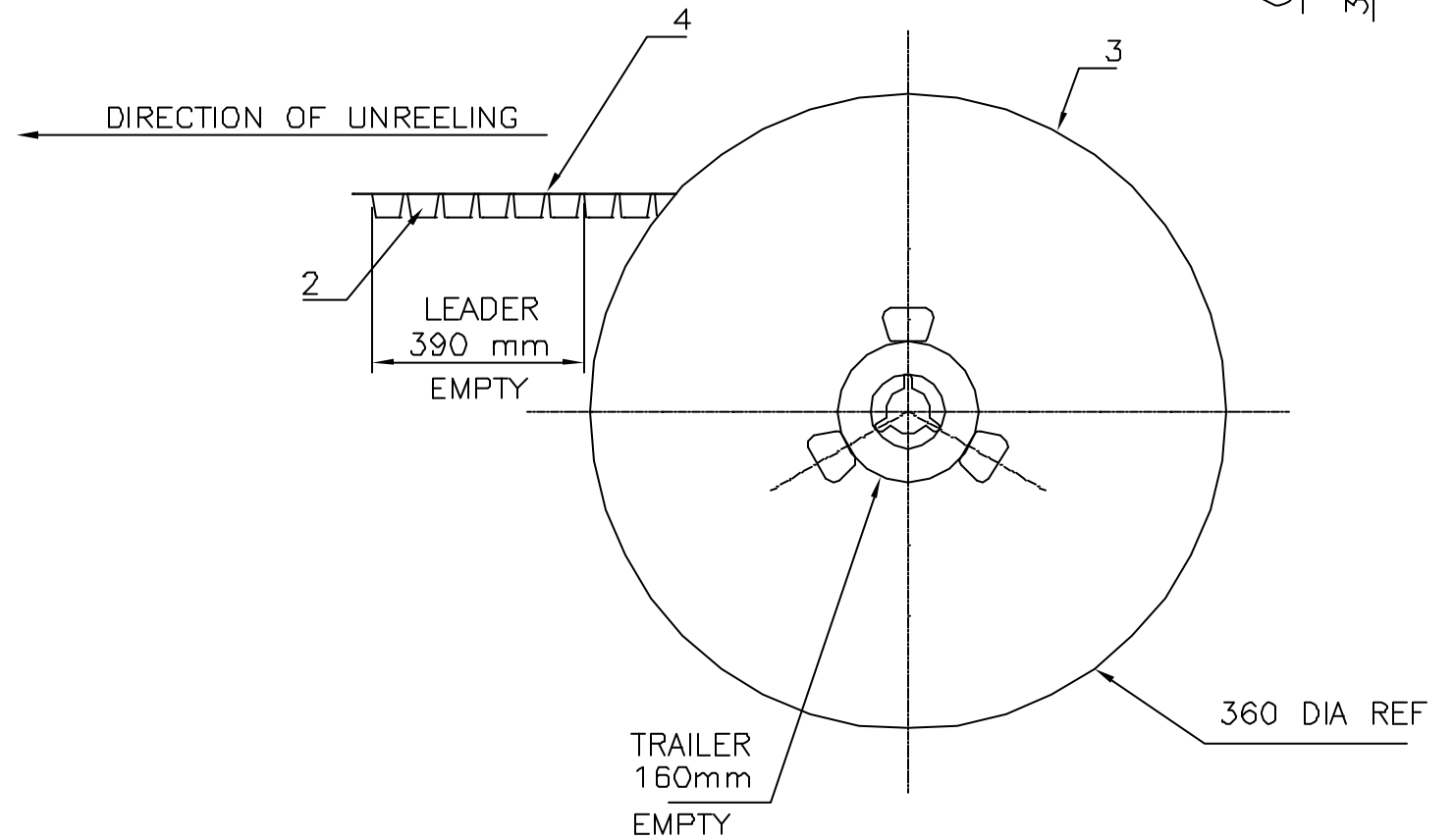
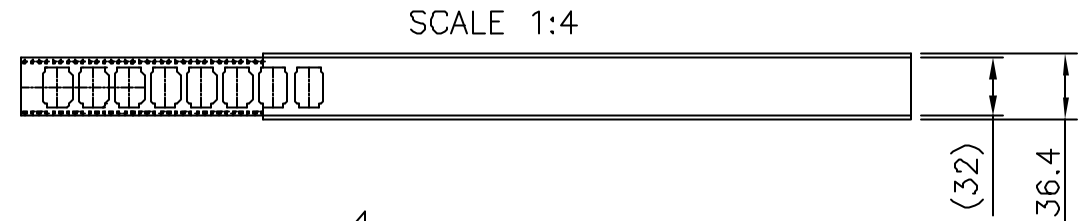
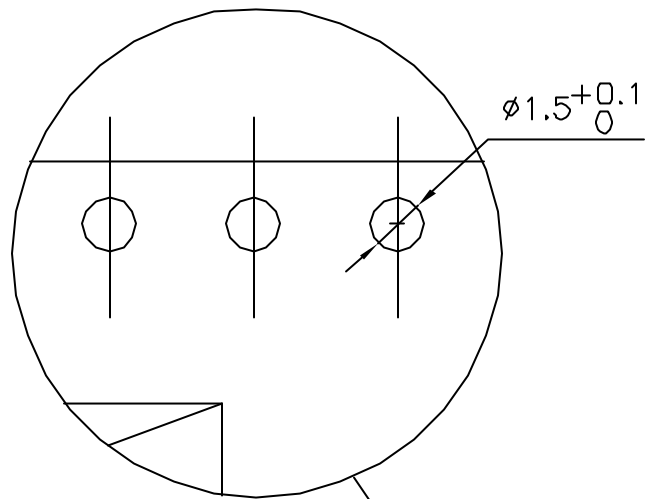
mat'l. code		surface	tolerance	projection	product family
		ISO 1302	ISO 406 ISO 1101		MOD JACK
ltr	ecn no	dr	date	title	
H	F05-0247	DLE	05.09.12	SMT RA JACK	
J	F06-0240	DLE	06.07.18	4 POS NARROW OUTSIDE	
		angles	linear	scale 2:1	
		±2'			
D	F80620	DLE	98.11.26	dr	D LEGRAND 04.10.18
E	F90120	DLE	99.02.01	engr	P NIZZI 04.10.18
F	F03020	DLE	03.01.27	chr	D LEGRAND 04.10.18
G	F04-0363	DLE	04.10.18	appd	P NZ 04.10.18
sheet	revision	J	F	B	
index	sheet	1	2	3	
dwg no		sheet 1 of 3		size	
73306				A3	
type		CUSTOMER Drawing			



Copyright FCI

PRODUCT NUMBER  
SEE SHEET 1

LTR	PART NAME	QTY
1	PRODUCT	280
2	TAPE	1
3	REEL	1
4	COVER TAPE	1



1- IN ACCORDANCE WITH EIA-481 AND IEC 296-3

CUSTOMER COPY FOR REFERENCE ONLY

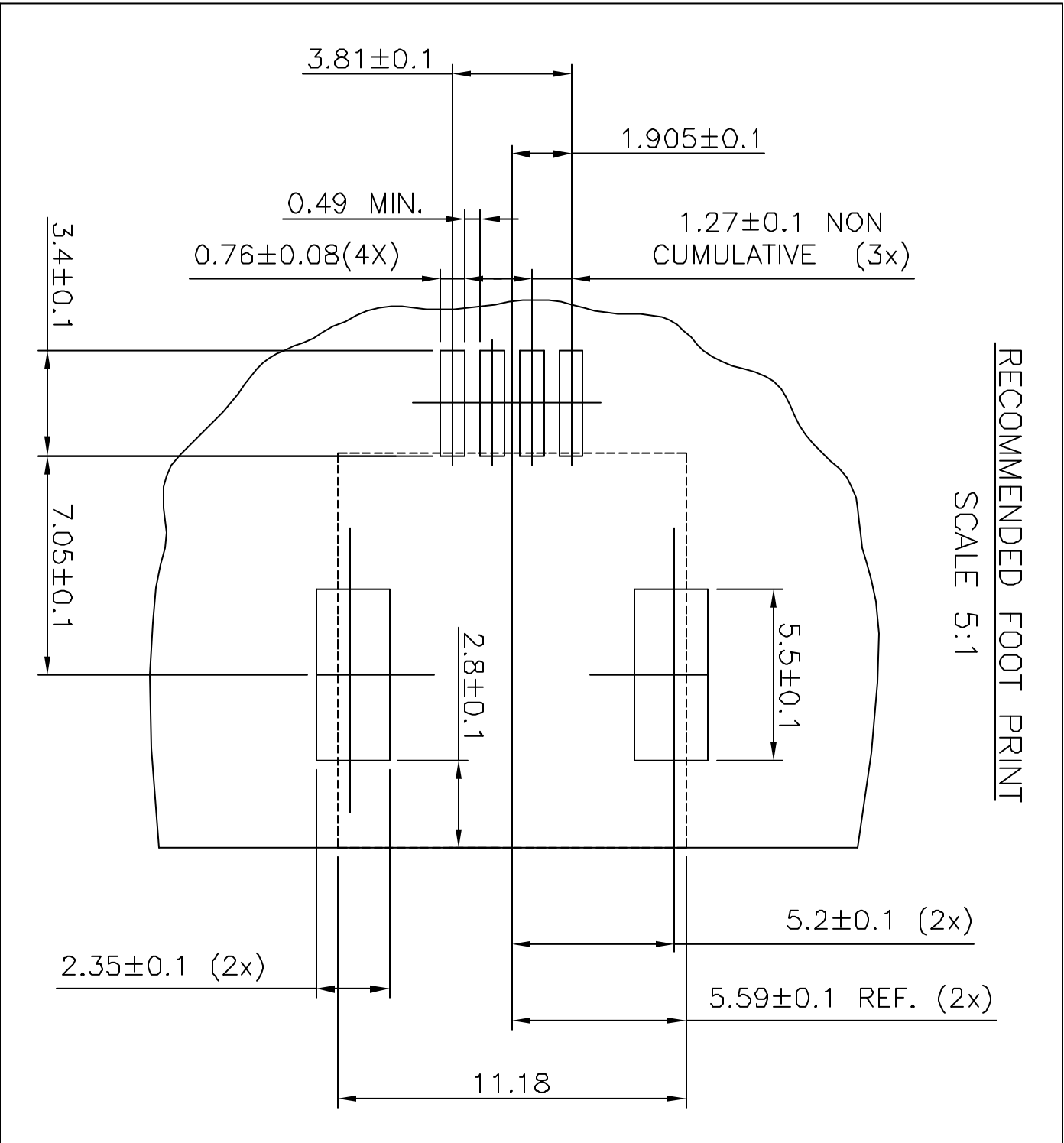
mat'l. code		surface ISO 1302		tolerance ISO 406 ISO 1101		projection mm		product family MOD-JACK	
ltr		ecn no		dr		date		title	
E		F90120		DLE		99.02.01		SMT RA JACK POS. NARROW OUTSIDE	
F		F06.0240		DLE		06.07.18			
				angles		linear		scale 1:1	
				dr		D LEGRAND		06.07.18	
				engr		P NIZZI		06.07.18	
				chr		D LEGRAND		06.07.18	
				appd		P NIZZI		06.07.18	
sheet index		revision sheet						dwg no 73306	
								sheet 2 of 3	
								size A3	
								type CUSTOMER Drawing	



Copyright FCI



2



RECOMMENDED FOOT PRINT  
SCALE 5:1

# CUSTOMER COPY FOR REFERENCE ONLY

mat'l. code		surface		tolerance		projection		product family	
ISD 1302		ISD 406		ISD 1101				MOD JACK	
tolerances unless otherwise specified		angles		linear		mm		title	
±2°		±0.13		scale 2:1				SMT RA JACK	
ltr		ecn no		dr		date		dwg no	
A		F04.0363		DLE		04.10.18		73306	
B		F06-0240		DLE		06.07.18		CUSTOMER Drawing	
sheet index		revision		sheet		sheet		size	
1		1		1		1		A4	